

Styli and accessories



M4 threaded stylus range

M4 threaded
stylus range

5.0



OMP40 a compact probe suited to small machining centres

Renishaw's probing systems are designed to give optimum performance using styli from Renishaw's comprehensive range. The following probes all use M4 threaded styli, however with suitable adaptors, other thread sizes may be used.

CMM

- TP7
- SP600
- TP800

Machine tool

- MP1
- MP3
- MP4
- MP6
- MP7
- MP8
- MP9
- MP10
- MP11
- MP12
- MP700
- LP2

Digitising

- TS27R
- MP18
- MP16
- MP10E
- MP700E
- OMP40
- Cyclone



Ruby ball styli (stainless steel stems)

Part number	A-5003-3550	A-5000-7545	A-5000-7547	A-5000-7549	A-5000-7551
A Ball dia. mm (inch)	5.0 (0.20)	1.0 (0.04)	2.0 (0.08)	3.0 (0.12)	4.0 (0.16)
B Length mm (inch)	10.5 (0.42)	19.5 (0.77)	19.0 (0.75)	18.5 (0.73)	18.0 (0.71)
C Stem dia. mm (in.)	3.5 (0.14)	0.7 (0.03)	1.4 (0.05)	2.0 (0.08)	3.0 (0.12)
D EWL* mm (inch)	8.0 (0.32)	4.0 (0.16)	8.0 (0.32)	13.0 (0.52)	13.0 (0.52)
Mass grammes	2.0	2.5	2.3	2.0	2.1

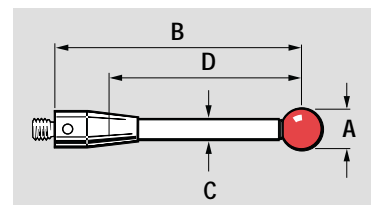
Part number	A-5000-7553	A-5000-6731	A-5000-6352	A-5000-7555	A-5000-7557
A Ball dia. mm (inch)	5.0 (0.20)	5.0 (0.20)	5.0 (0.20)	6.0 (0.24)	8.0 (0.32)
B Length mm (inch)	18.0 (0.71)	20.0 (0.79)	30.0 (1.19)	17.5 (0.69)	18.0 (0.71)
C Stem dia. mm (in.)	3.5 (0.14)	3.0 (0.12)	3.0 (0.12)	4.5 (0.18)	4.5 (0.18)
D EWL* mm (inch)	13.5 (0.54)	16.0 (0.63)	26.0 (1.03)	13.5 (0.54)	15.0 (0.60)
Mass grammes	2.3	2.4	3.0	3.0	3.9

10 mm – 30 mm range

(Tungsten carbide stems)

Part number	A-5003-4792	A-5003-2932	A-5003-4793	A-5003-4794	A-5003-4795	A-5003-4796
A Ball dia. mm (inch)	1.0 (0.04)	2.0 (0.08)	3.0 (0.12)	4.0 (0.16)	5.0 (0.20)	6.0 (0.24)
B Length mm (inch)	20.0 (0.79)	20.0 (0.79)	20.0 (0.79)	20.0 (0.79)	20.0 (0.79)	20.0 (0.79)
C Stem dia. mm (in.)	0.7 (0.03)	1.5 (0.06)	1.5 (0.06)	1.5 (0.06)	2.5 (0.10)	2.5 (0.10)
D EWL* mm (inch)	10.0 (0.40)	10.0 (0.40)	10.0 (0.40)	10.0 (0.40)	6.0 (0.24)	6.0 (0.24)
Mass grammes	2.39	3.01	3.53	3.53	4.52	4.66

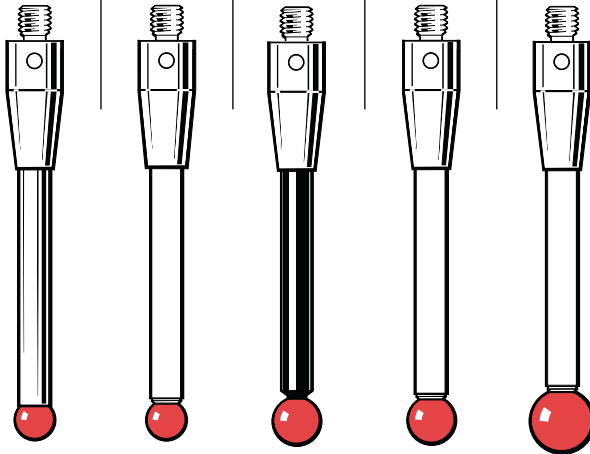
20 mm range



Ruby ball styli

Part number	A-5000-7521 Stainless steel	A-5003-0235 Ceramic	A-5003-1436 Carbon fibre	A-5000-3709 Ceramic	A-5000-7795 Ceramic
A Ball dia. mm (inch)	5.0 (0.20)	5.0 (0.20)	6.0 (0.24)	6.0 (0.24)	8.0 (0.32)
B Length mm (inch)	50.0 (1.97)	50.0 (1.97)	50.0 (1.97)	50.0 (1.97)	50.0 (1.97)
C Stem dia. mm (inch)	4.5 (0.18)	3.8 (0.15)	4.4 (0.18)	4.5 (0.18)	4.5 (0.18)
D EWL* mm (inch)	40.1 (1.58)	34.0 (1.34)	38.5 (1.52)	33.4 (1.32)	50.0 (1.97)
Mass grammes	5.8	5.0	4.1	4.8	5.4

50 mm range



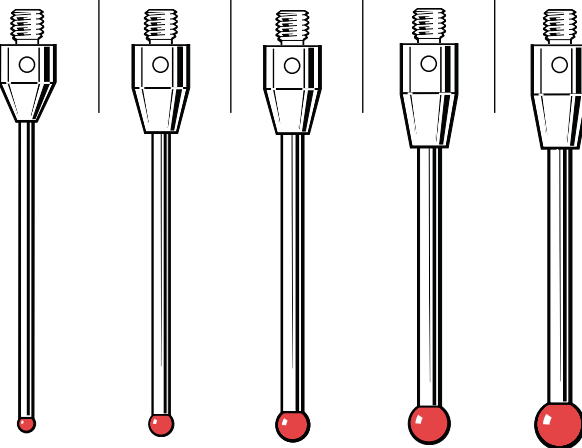
M4 threaded
styli range

5.2

(Tungsten carbide stems)

Part number	A-5003-4797	A-5003-3680	A-5003-4799	A-5003-4800	A-5003-4801
A Ball dia. mm (inch)	2.0 (0.08)	3.0 (0.12)	4.0 (0.16)	5.0 (0.20)	6.0 (0.24)
B Length mm (inch)	50.0 (1.97)	50.0 (1.97)	50.0 (1.97)	50.0 (1.97)	50.0 (1.97)
C Stem dia. mm (in.)	1.5 (0.06)	2.0 (0.08)	2.5 (0.10)	2.5 (0.10)	2.5 (0.10)
D EWL* mm (inch)	4.0 (1.58)	38.0 (1.50)	36.0 (1.42)	36.0 (1.42)	36.0 (1.42)
Mass grammes	3.80	4.94	4.99	6.72	6.86

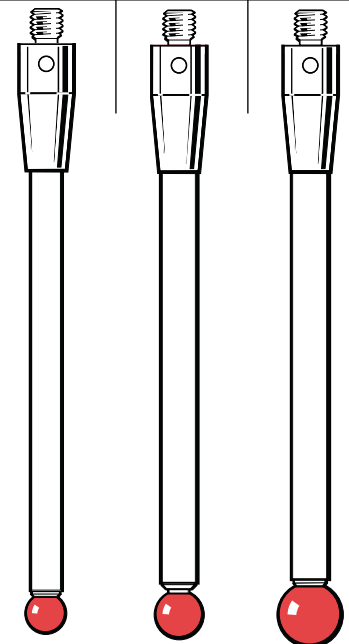
50 mm range



(Ceramic stems)

Part number	A-5003-0236	A-5003-2764	A-5003-4802
A Ball dia. mm (inch)	5.0 (0.20)	6.0 (0.24)	8.0 (0.32)
B Length mm (inch)	75.0 (2.96)	75.0 (2.96)	75.0 (2.96)
C Stem dia. mm (in.)	3.8 (0.15)	4.4 (0.18)	4.5 (0.18)
D EWL* mm (inch)	59.0 (2.33)	63.5 (2.51)	75.0 (2.96)
Mass grammes	5.63	5.64	6.20

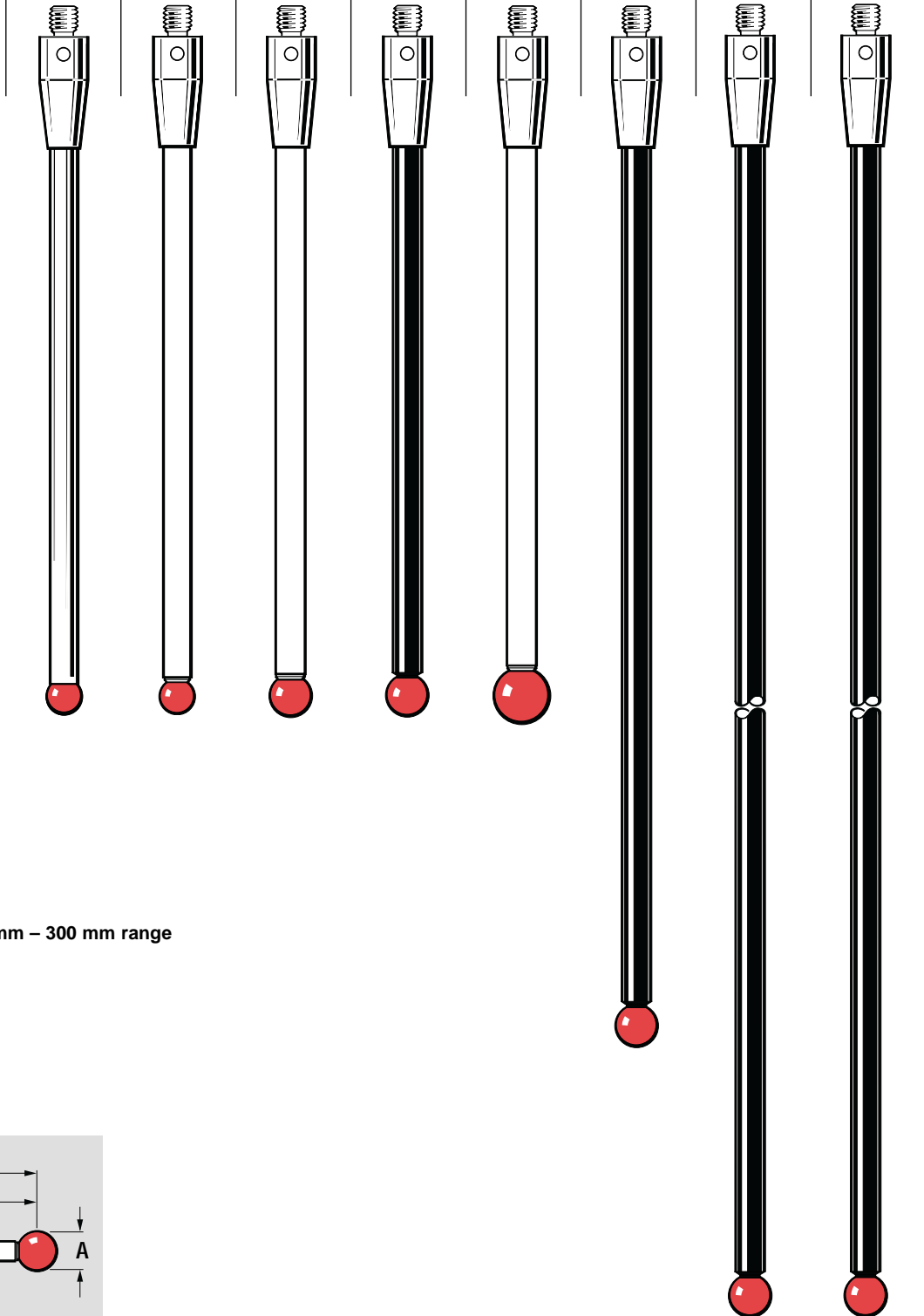
75 mm range



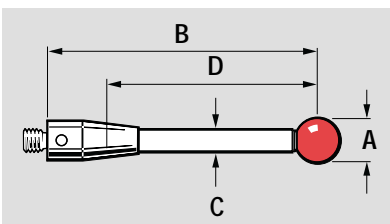
Ruby ball styli

M4 threaded
stylus range
5.3

Part number	A-5000-7522	A-5000-9761	A-5000-3712	A-5003-1358	A-5000-7796	A-5003-1255	A-5003-1075	A-5003-4179
	Stainless steel	Ceramic	Ceramic	Carbon fibre	Ceramic	Carbon fibre	Carbon fibre	Carbon fibre
A Ball dia. mm (inch)	5.0 (0.20)	5.0 (0.20)	6.0 (0.24)	6.0 (0.24)	8.0 (0.32)	6.0 (0.24)	6.0 (0.24)	6.0 (0.24)
B Length mm (inch)	100.0 (3.94)	100.0 (3.94)	100.0 (3.94)	100.0 (3.94)	100.0 (3.94)	150.0 (5.91)	200.0 (7.88)	300.0 (11.82)
C Stem dia. mm (in.)	4.5 (0.18)	3.8 (0.15)	4.5 (0.18)	4.4 (0.18)	4.5 (0.18)	4.4 (0.18)	4.5 (0.18)	4.5 (0.18)
D EWL* mm (inch)	85.0 (3.35)	84.0 (3.31)	88.5 (3.49)	88.5 (3.49)	100.0 (3.94)	138.5 (5.46)	188.5 (7.43)	288.5 (11.37)
Mass grammes	11.3	6.4	6.4	6.2	7.0	7.5	8.7	10.4

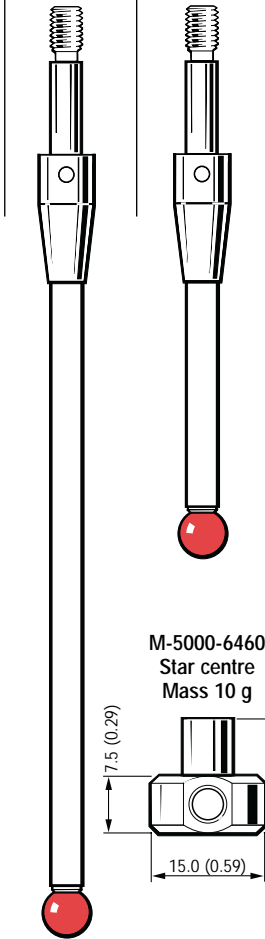


100 mm – 200 mm – 300 mm range



M4 star styli

Part number	A-5000-6462 Ceramic	A-5000-7098 Ceramic
Ball mm (inch)	6.0 (0.24)	6.0 (0.24)
Length mm (inch)	100.0 (3.94)	50.0 (1.97)
Stem dia. mm (in.)	4.5 (0.18)	4.5 (0.18)
EWL* mm (inch)	88.0 (3.47)	38.0 (1.50)
Mass grammes	7.5	6.0

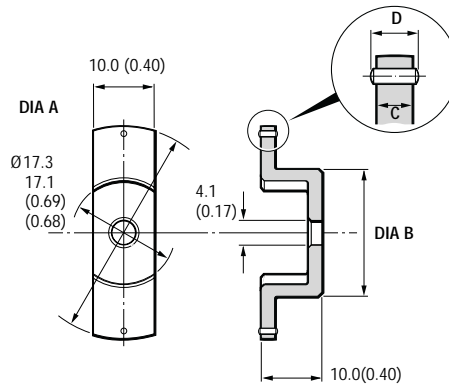


M-5000-6460
Star centre
Mass 10 g

*Effective working length

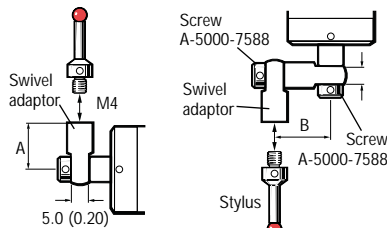
Disc styli

Part number	A-5000-7596	A-5000-7597	A-5000-7598
Diameter A mm (inch)	Ø30.0 (1.19)	Ø35.0 (1.38)	Ø50.0 (1.97)
Diameter B mm (inch)	Ø21.0 (0.83)	Ø21.0 (0.83)	Ø23.0 (0.91)
C mm (inch)	2.2 (0.09)	2.2 (0.09)	3.0 (0.12)
D mm (inch)	3.0 (0.12)	3.0 (0.12)	4.0 (0.16)
Mass grammes	8.01	9.57	13.55



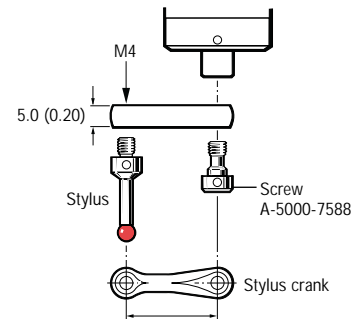
Swivel adaptor

Part number	M-5000-7591	M-5000-7592
Length A mm (inch)	10.0 (0.40)	13.5 (0.54)
Length B mm (inch)	14.3 (0.57)	18.3 (0.73)
Mass grammes	2.76	3.70



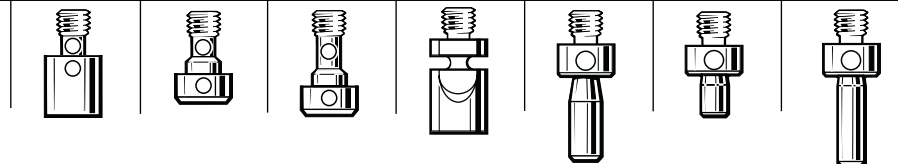
Styli crank

Part number	M-5000-7589	M-5000-7590
Length A mm (inch)	21.9 (0.86)	27.6 (1.09)
Mass grammes	6.07	6.94



Crash protection devices

Part number	M-5000-7582 Stainless steel	M-5000-7587 Stainless steel	M-5000-7588 Stainless steel	M-2085-0069 Silver steel	A-5003-5171 Silver steel	M-2197-0156 Silver steel	M-2197-0150 Silver steel
Length mm (inch)	8.0 (0.32)	8.0 (0.32)	10.0 (0.40)	8.0 (0.32)	15.2 (0.60)	9.0 (0.36)	16.0 (0.63)
Mass grammes	1.8	1.4	1.5	2.7	4.6	1.5	2.1

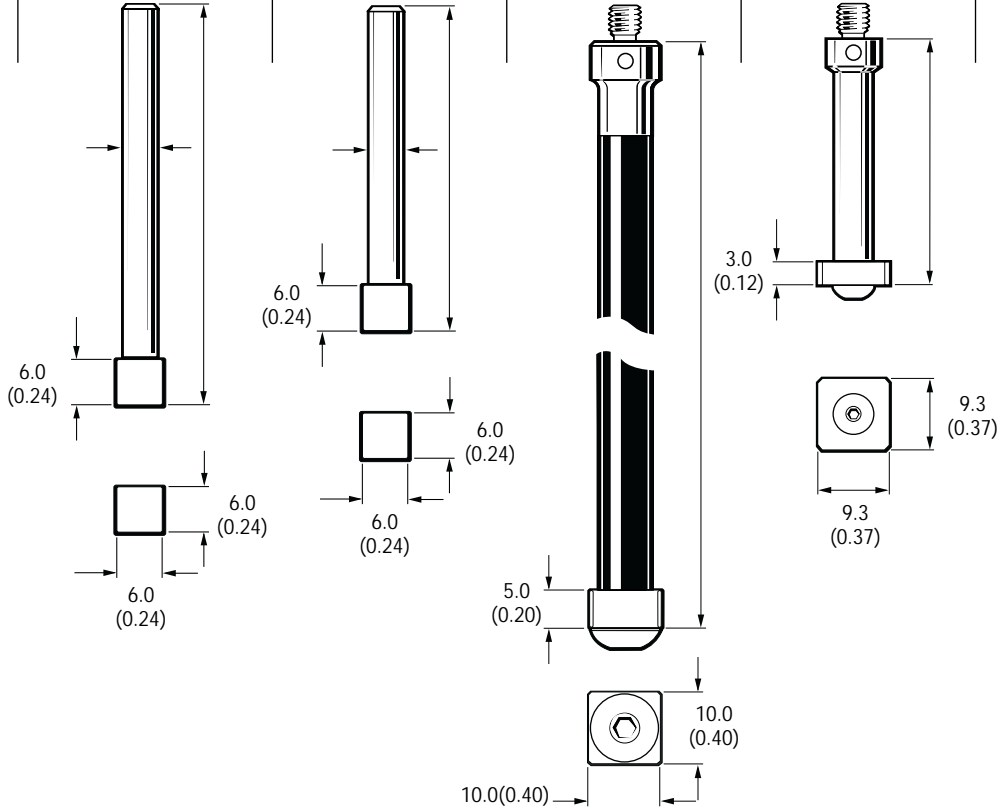


These styli are also available with specialist ball materials – see Section 7

*Effective working length

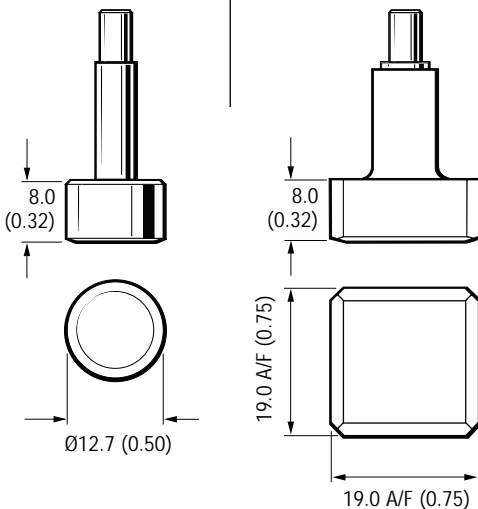
Tool datuming styli

Part number	A-5000-3212 Stainless steel	A-5000-6701 Stainless steel	A-5000-6713 Aluminium	A-5000-6403 Stainless steel
Overall length mm (in.)	53.0 (2.09)	43.0 (1.70)	96.5 (3.80)	32.5 (1.28)
Stem dia. mm (inch)	4.5 (0.18)	4.5 (0.18)	7.5 (0.30)	5.4 (0.22)
Mass grammes	4.5	4.3	21.9	11.0

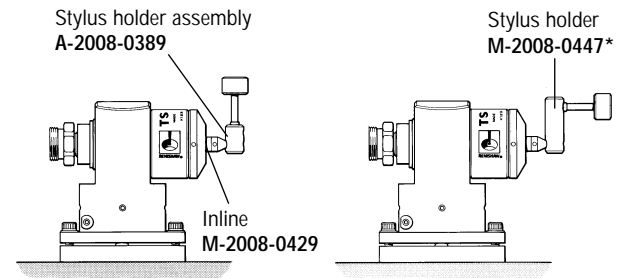


TS27R styli – parallel shafted (not M4) – Not compatible with TS27 probes

Part number	A-2008-0382 Tungsten carbide	A-2008-0384 Ceramic
Overall length mm (inch)	23.0 (0.91)	22.0 (0.87)
Mass grammes	12.1	7.1



Stylus conversion kit for TS27R to allow Horizontal M/C applications (A-2008-0448)



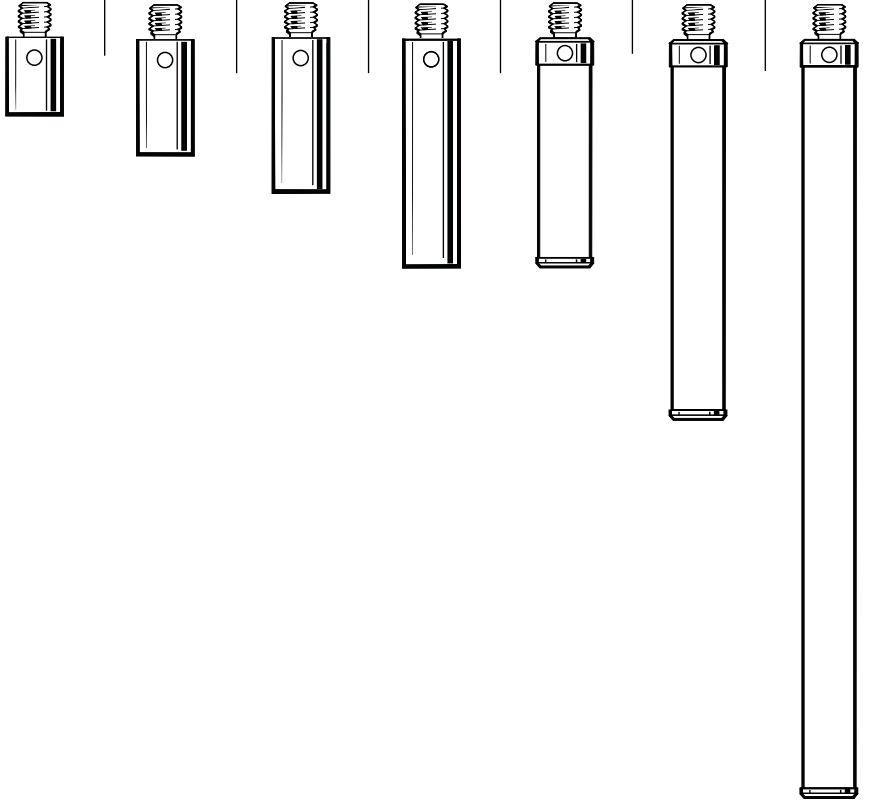
Vertical M/C applications

Horizontal M/C applications

*Order also requires 3 x P-SC13-0403

Stylus extensions

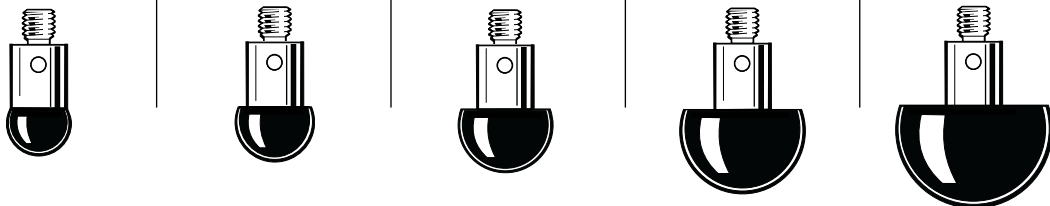
Part number	M-5000-7583 Stainless steel	M-5000-7584 Stainless steel	M-5000-7585 Stainless steel	M-5000-7586 Stainless steel	A-5000-7754 Ceramic	A-5000-7755 Ceramic	A-5000-7727 Ceramic
Length mm (inch)	10.0 (0.40)	15.0 (0.60)	20.0 (0.79)	30.0 (1.19)	30.0 (1.19)	50.0 (1.97)	100.0 (3.94)
Stem dia. mm (inch)	7.0 (0.28)	7.0 (0.28)	7.0 (0.28)	7.0 (0.28)	7.4 (0.30)	7.4 (0.30)	7.4 (0.30)
Mass grammes	2.4	3.7	4.8	7.4	5.1	6.7	10.6



M4 digitising styli

Hemispherical anodised aluminium ball styli (metric)

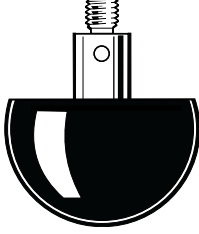
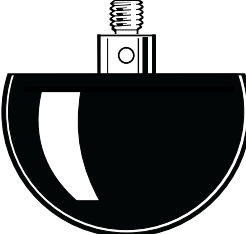
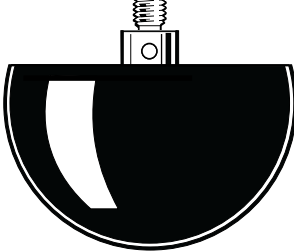
Part number	A-5000-7718	A-5000-7719	A-5000-7720	A-5000-7721	A-5000-7722
Ball dia mm (inch)	8.0 (0.32)	10.0 (0.40)	12.0 (0.48)	16.0 (0.63)	20.0 (0.79)
Length mm (inch)	10.5 (0.42)	10.5 (0.42)	10.5 (0.42)	11.5 (0.46)	11.5 (0.46)
Mass grammes	3.4	3.9	4.6	7.2	10.9



M4 digitising styli – continued






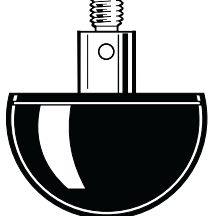
Hemispherical anodised aluminium ball styli (metric)

Part number	A-5000-7723	A-5000-7724	A-5000-7725
Ball dia mm (inch)	25.0 (0.99)	32.0 (1.26)	38.0 (1.50)
Length mm (inch)	12.5 (0.50)	9.5 (0.38)	9.5 (0.38)
Mass grammes	18.7	19.6	28.5

Hemispherical anodised aluminium ball styli (imperial)

Part number	A-5000-7710	A-5000-7711	A-5000-7712	A-5000-7713	A-5000-7714	A-5000-7715
Ball dia inch (mm)	5/16 (8.0)	3/8 (9.6)	1/2 (12.7)	5/8 (15.9)	3/4 (19.1)	1 (25.4)
Length mm (inch)	10.5 (0.42)	10.5 (0.42)	10.5 (0.42)	11.5 (0.46)	11.5 (0.46)	12.5 (0.50)
Mass grammes	3.4	3.9	4.6	7.2	10.9	10.9

Complete stylus kit available – Part number A-5000-7677

Renishaw applies innovation to provide solutions to your problems

Renishaw is an established world leader in metrology, providing high performance, cost-effective solutions for measurement and increased productivity. A worldwide network of subsidiary companies and distributors provides exceptional service and support for its customers.

Renishaw designs, develops and manufactures products which conform to ISO 9001 standards.

Renishaw provides innovative solutions using the following products:

- Probe systems for inspection on CMMs (co-ordinate measuring machines).
- Systems for job set-up, tool setting and inspection on machine tools.
- Scanning and digitising systems.
- Laser and automated ballbar systems for performance measurement and calibration of machines.
- Encoder systems for high accuracy position feedback.
- Spectroscopy systems for non-destructive material analysis in laboratory and process environments.
- Styli for inspection and tool setting probes.
- Customised solutions for your applications.

Renishaw worldwide

Australia

T +61 3 9521 0922
E australia@renishaw.com

Brazil

T +55 11 4195 2866
E brazil@renishaw.com

The People's Republic of China

T +86 10 8448 5306
E beijing@renishaw.com

Czech Republic

T +420 5 4821 6553
E czech@renishaw.com

France

T +33 1 64 61 84 84
E france@renishaw.com

Germany

T +49 7127 9810
E germany@renishaw.com

Hong Kong

T +852 2753 0638
E hongkong@renishaw.com

India

T +91 80 5320 144
E india@renishaw.com

Italy

T +39 011 966 10 52
E italy@renishaw.com

Japan

T +81 3 5332 6021
E japan@renishaw.com

The Netherlands

T +31 76 543 11 00
E benelux@renishaw.com

Poland

T +48 22 575 8000
E poland@renishaw.com

Russia

T +7 095 113 42 44
E russia@renishaw.com

Singapore

T +65 6897 5466
E singapore@renishaw.com

Slovenia

T +386 1 52 72 100
E mail@rls.si

South Korea

T +82 2 565 6878
E southkorea@renishaw.com

Spain

T +34 93 478 21 31
E spain@renishaw.com

Switzerland

T +41 55 415 50 60
E switzerland@renishaw.com

Taiwan

T +886 4 2251 3665
E taiwan@renishaw.com

UK (Head Office)

T +44 1453 524524
E uk@renishaw.com

USA

T +1 847 286 9953
E usa@renishaw.com

For all other countries

T +44 1453 524524
E international@renishaw.com